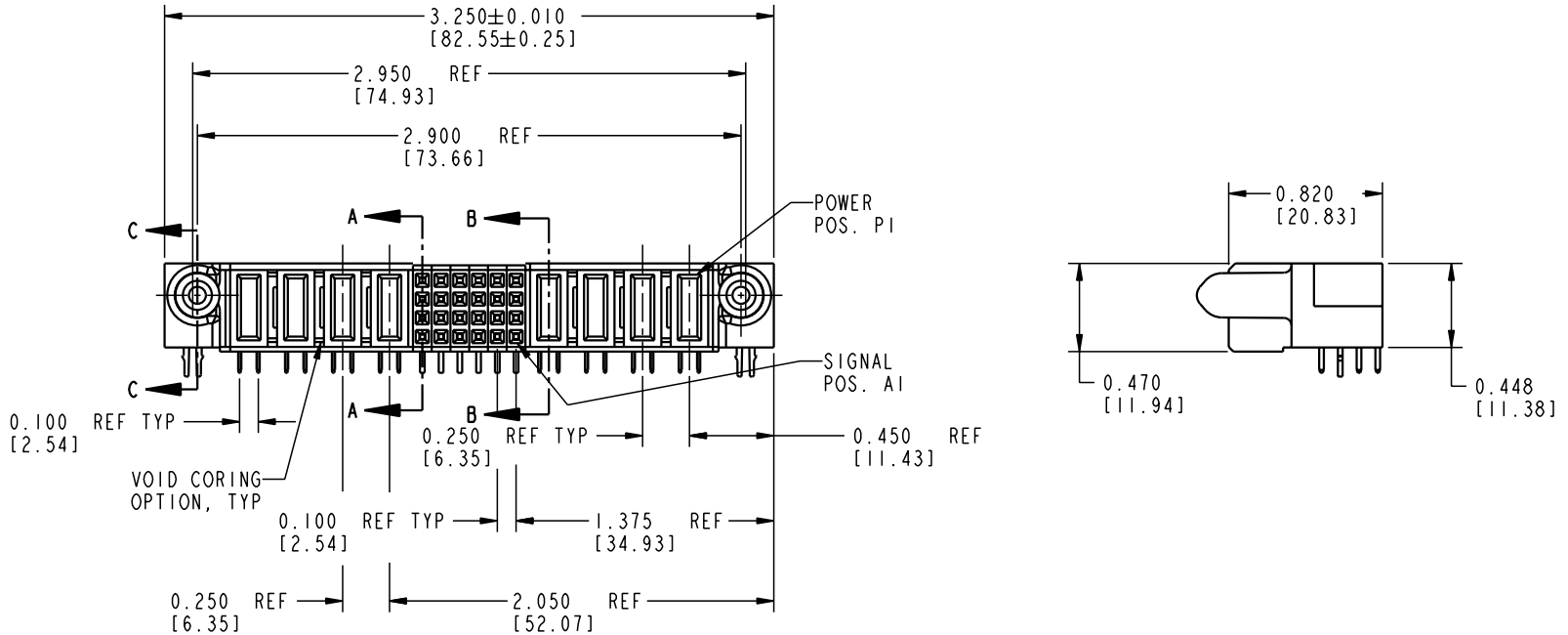


Tous droits strictement réservés. Reproduction ou communication o des tiers interdite sous quelque forme que ce soit sans autorisation écrite du propriétaire. Propriété de c FCI. Droits de reproduction FCI.

All rights strictly reserved. Reproduction or issue to third parties in any form whenever is not permitted without written authority from the proprietor. Property of FCI. Copyright FCI.

PRODUCT No.	ROWS	POWER				SIGNAL				POWER							
		E2	P8	P7	P6	P5	6	5	4	3	2	1	P4	P3	P2	P1	E1
51760-10402404AA	D C B A		PA	PA	PA	PA	H	H	H	H	H	H	H	H	H	H	
			PA	PA	PA	PA	G	G	G	G	G	G	G	G	G	G	
			PA	PA	PA	PA	F	F	F	F	F	F	F	F	F	F	
			PA	PA	PA	PA	E	E	E	E	E	E	E	E	E	E	



CODE	DIM "M" MATING LENGTH	DIM "T" TAIL LENGTH	CONTACT TYPE
E	N/A [N/A]	0.135 [3.43]	SIGNAL
F	N/A [N/A]	0.135 [3.43]	SIGNAL
G	N/A [N/A]	0.135 [3.43]	SIGNAL
H	N/A [N/A]	0.135 [3.43]	SIGNAL
PA	0.042 [1.07]	0.135 [3.43]	POWER
HA	N/A [N/A]	N/A [N/A]	HOLD-DOWN

mat'l code				SEE NOTE		tolerances unless otherwise specified		CUSTOMER		 www.fciconnect.com		
ltr	ecn no.	dr	date	linear	.XX±.01/0.X±0.3		COPY		 INCH/MM		title 4P + 24S + 4P RIGHT ANGLE SOLDER RECEPTACLE	
A	V12506	JWS	10/19/01		.XXX±.005/0.XX±0.13		projection					
B	V21511	CGD	09/23/02	angles	.XXX±.0020/0.XXX±0.051		 scale 1:1		product family PwrBlade code 213			
					° ± °				size A 51760-10402404AA		sheet 1 of 2	
sheet index		revision sheet		B	B							
		1		2								

Pro/E

cage code 22526

PDM: Rev:B

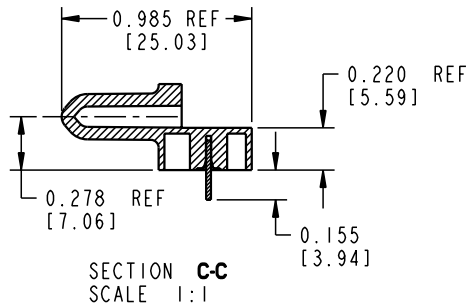
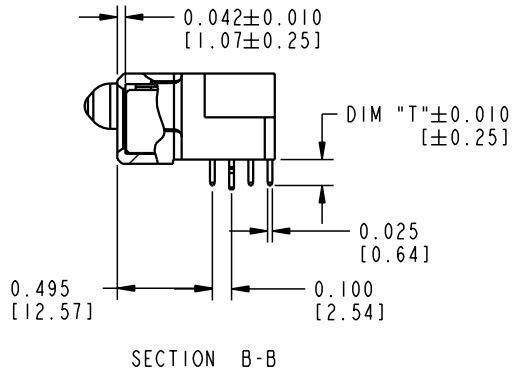
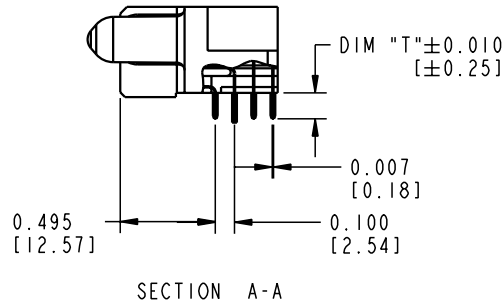
STATUS: Released

Printed: Aug 14, 2007

Tous droits strictement réservés. Reproduction ou communication o des tiers interdite sous quelque forme que ce soit sans autorisation écrite du propriétaire. Propriété de c FCI. Droits de reproduction FCI.

All rights strictly reserved. Reproduction or issue to third parties in any form whatever is not permitted without written authority from the proprietor. Property of FCI. Copyright FCI.

PRODUCT NUMBER
51760-10402404AA

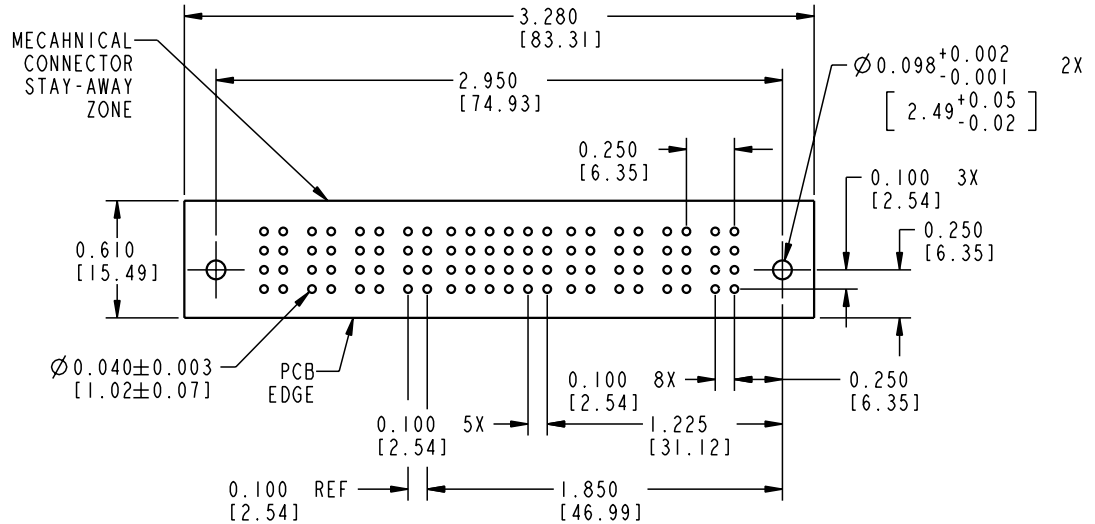


CONNECTOR NOTES:

① FOR ADDITIONAL INFORMATION, REFER TO DRAWING NUMBER 51760.

PCB NOTES:

2. ALL DIMENSIONS ARE BASIC UNLESS OTHERWISE SPECIFIED.
3. ALL THROUGH HOLES ARE LOCATED WITH A TRUE POSITION OF 0.004 [0.10]
4. ALL HOLE DIAMETERS ARE FINISHED HOLE SIZE.
5. $\varnothing 0.098$ [2.49] THROUGH HOLES ARE UNPLATED.
6. $\varnothing 0.0453 \pm 0.0010$ [1.151 ± 0.025] DRILLED HOLES PLATED WITH 0.0003 [0.008] MIN SnPb OVER 0.001 [0.03] TO 0.003 [0.08] Cu PLATING TO ACHIEVE A $\varnothing 0.040 \pm 0.003$ [1.02 ± 0.07] HOLE.



mat'l code		SEE NOTE		tolerances unless otherwise specified		CUSTOMER		 www.fciconnect.com	
ltr	ecn no.	dr	date	linear	.XX ± .01/0.X ± 0.3	COPY		title	
B				projection	.XXX ± .005/0.XX ± 0.13			4P + 24S + 4P RIGHT ANGLE SOLDER RECEPTACLE	
				angles	.XXX ± .0020/0.XXX ± 0.051			product family	
				dr	J. SHAFFER 10/19/01	INCH/MM		PwrBlade	
				enrg	J. ALLISON 10/19/01	scale		code	
				chr	J. ALLISON 10/19/01	1:1		213	
				appd	J. ALLISON 10/19/01			sheet	
sheet index		revision sheet						2	
								2	

cage code 22526

Pro/E

PDM: Rev:B

STATUS: Released

Printed: Aug 14, 2007